

LINEA

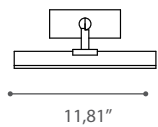
TYPE:

PROJECT NAME:

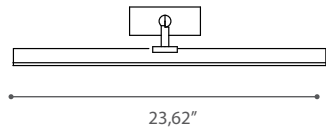
design Oberon 1994 /R&S Antonangeli 2004

Lampada a parete in tre dimensioni.
Finitura: metallo cromato o nichel satinato.
Fonti luminose: bassa tensione e Led.

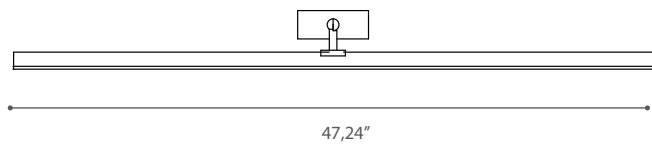
Wall lamps in a three different versions.
Finiture: chromed metal or satined nickel.
Bulbs: low tension and Led.



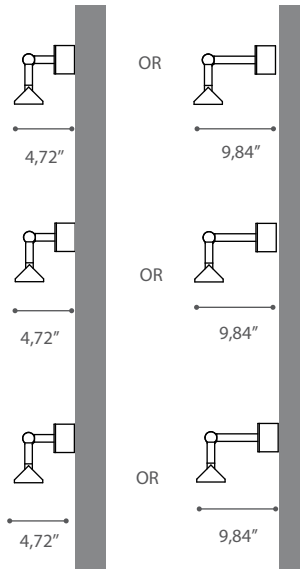
W1



W2



W3



SPECIFICATION SHEET

Installation Note: Models W1/W2/W3 comes with a backplate to cover a standard octagon junction box

W1	2X	Hal-eco IRC GY6.35 20W 12V 600lm tot.			Driver included
W2	4X	Hal-eco IRC GY6.35 20W 12V 1000lm tot.			Driver included
W3	8X	Hal-eco IRC GY6.35 20W 12V 2000lm tot.			Driver included

