

UNICA

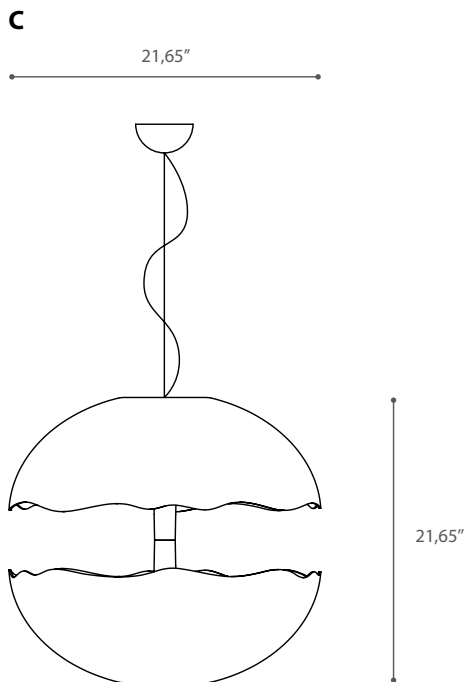
TYPE:

PROJECT NAME:



design Theo Sogni 2011

Sospensione in alluminio fuso "in terra".
Finiture: alluminio lucidato a specchio, nero ghisa con interno oro o argento. Rame, interno rame
Fonte luminosa: LED GU10 8W esterno - Circuito LED 6W 3000°k interno, doppia accensione.

*Suspension lamp made in aluminium "sand casting".
Finishes: aluminium shiny polished, cast iron with gold or silver inner part. Copper, inside copper
Light source: LED GU10 8W outside - Circuit LED 6W 3000°k inside, double switch.*



SPECIFICATION SHEET

C outside LED GU10 9W 680Lm  **A+**
inside Circuit LED 6W 3000K 400Lm  **A+** included



